

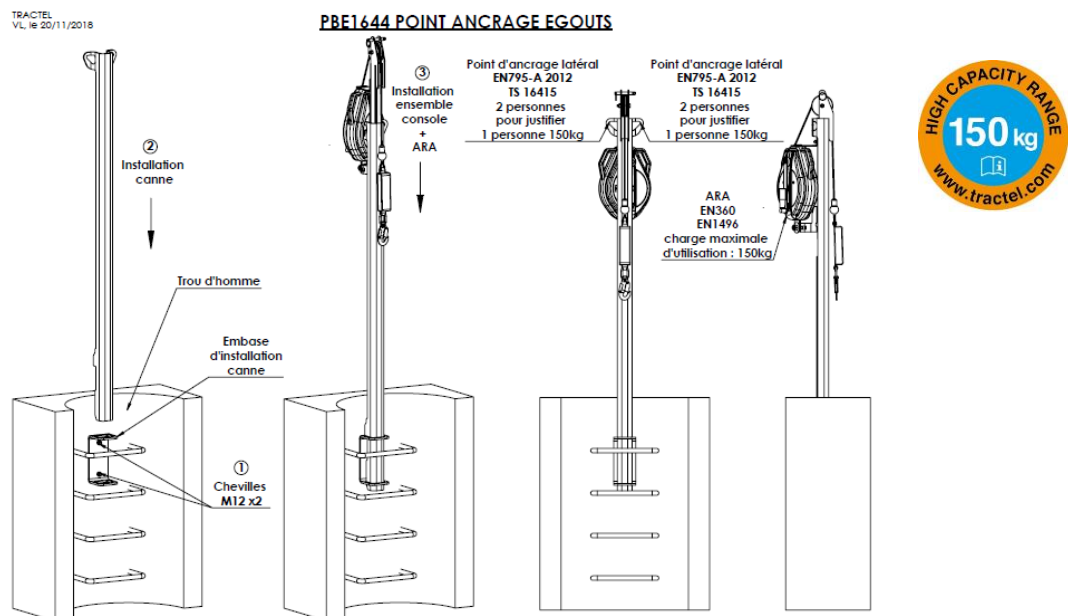
Application

The Tractel® tracrod 150 kg anchor rod is a transportable anchor point which enables two operators, each weighing up to 150 kg operator + harness + tool, to work in safety. To install it ready for use, the tracrod 150 kg anchor rod is inserted into a stainless steel support mount which is secured in place permanently at the place of work

The tracrod anchor rod can be disassembled. Its compact dimensions and light weight means that it can be transported in small vehicles and is easy to handle.

tracrod 150 kg anchor rod is intended for persons who need to gain access via manholes to structures such as storage silos, sewers, etc.

The head of the tracrod 150 kg anchor point is equipped with 2 anchors points. As an option, it can be fitted with a bracket to support a blocfor™ 20R or 30R



Safety

The tracrod 150 kg anchor rod is simple to set up. Due to its size, it is well suited for use as a transportable anchor point for working in confined spaces.

This temporary anchor point enables **two** operators, each weighing up to 150 kg (operator + harness +tools), to work in safety. It conforms to standard EN 795A and TS16415 (multiple 150-kg users).

The tracrod 150 kg anchor rod is the first transportable, single-footed anchor point with a working height of 1.50 m designed to enable access via manholes.

It is the only 150 kg anchor point of this type on the market to have been certified for use in this configuration

Its small size means that operators can carry several rods inside a small vehicle.

The tubular design of the tracrod 150 kg anchor rod ensures that the system offers high levels of stiffness and strength.

The bracket for the blocfor™ can be fitted and removed within seconds.

It is certified for use as an anchor point for fall arrest and rescue systems,

Its small size (1.76 m) and low weight (5.5 kg) makes it easy to transport and quick to set up.

The support mount is fastened using 12 mm chemical anchor fasteners and does not require any special tools.

N.B.: The chemical anchor fasteners are not supplied with the support mount, they must be compatible with the support structure.

Technical specifications

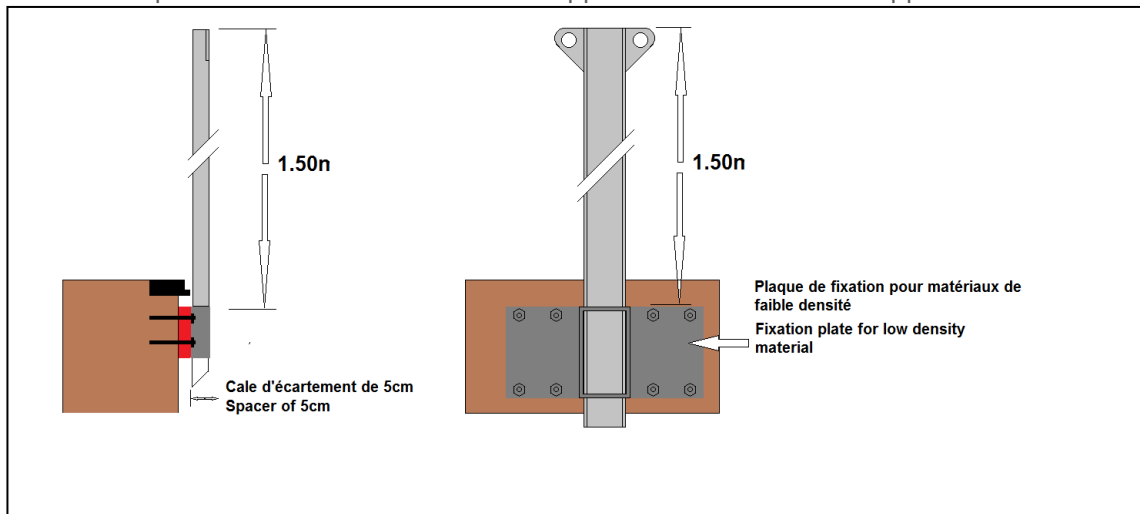
The tracrod 150 kg anchor rod is made of aluminium and thus is very lightweight. Its configuration can be varied to suit the work to be performed, with or without a blocfor™ bracket fitted

N.B.: The tracrod 150 kg anchor rod **cannot, under any circumstances, be used as a load lifting device**

Configuration in use

So that the tracrod 150 kg anchor rod can be installed in as many configurations as possible, Tractel® offers two optional accessories which can be fitted to the support mount:

- ✦ A securing plate for low-density support structures, which is fastened using eight, M12 screws.
- ✦ A 5 cm-thick spacer block fitted between the support structure and the support mount.



Standard:

The tracrod 150 kg anchor rod meets the requirements stated in the following standards:

- ✦ EN795A/2012 Personal fall protection equipment - anchor devices, and can be fitted with two, 150 kg fall-arrest devices which comply with the requirements stated in standard EN 363 (EN 355-EN 353.2-EN 360) or with evacuation systems EN341
- ✦ To support a blocfor™ 20R or 30R 150-kg bracket, EN 360 - EN 1496

Code:

| Code No. | Description | Min. quantity | Size L x W x H mm | Weight kg With packaging | Description |
|----------|---|---------------|-------------------|--------------------------|---------------|
| 207128 | Tracrod 150 kg anchor rod | 1 | 1760x180x80 | 5.5 kg | Cardboard box |
| 207118 | tracrod 150 kg support mount | 1 | 226x104x110 | 2.2 kg | PU bag |
| 207108 | blocfor™ bracket for tracrod | 1 | 805x55x200 | 4.5 kg | PU bag |
| 075492 | blocfor™ 20R with no bracket | 1 | 460x330x190 | 12 kg | Cardboard box |
| 075502 | blocfor™ 30R with no bracket | 1 | 550x350x220 | 20 kg | Cardboard box |
| 081492 | Bracket + blocfor™ 20R for tracrod | 1 | 460x330x210 | 16.5kg | Cardboard box |
| 081502 | Bracket + blocfor™ 30R for tracrod | 1 | 550x350x360 | 24.5 kg | Cardboard box |
| 207358 | 5 cm-thick stainless steel spacer block | 1 | 226X104X50 | | PU BAG |
| 207368 | Securing plate for low-density support structures | 1 | 380X200X6 | 3.9 kg | PU bag |